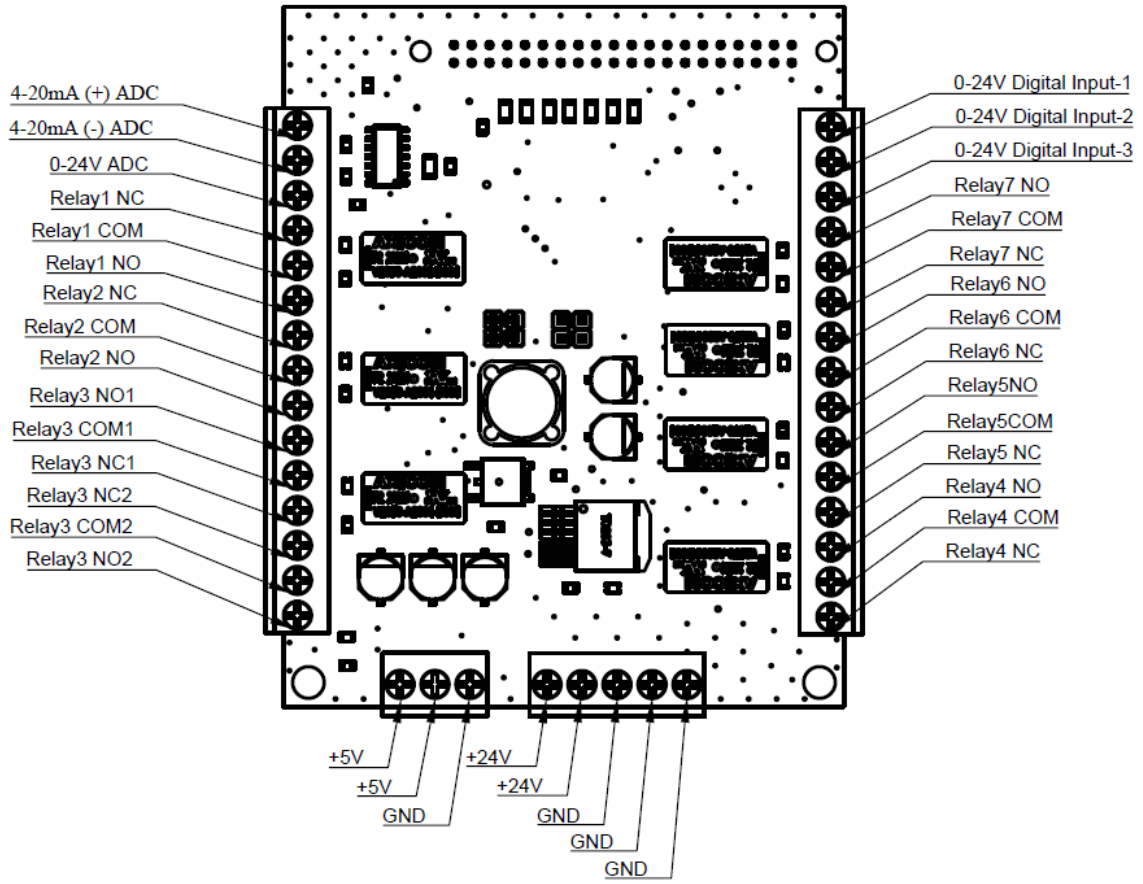


## Terminal Düzeni



Şekil: Automation Expansion Board Terminal Düzeni

## Terminal Açıklamaları

Tanım	Tip	Açıklama
4-20mA (+) ADC	ADC	Analog Input in the 4-20 mA range
4-20mA (-) ADC	ADC	Analog Input in the 4-20 mA range
0-24V ADC	ADC	Analog Input the 4-20 V range
Relay1 NC	Relay	Normally Close Contact of Relay1
Relay1 COM	Relay	COM Contact of Relay2
Relay1 NO	Relay	Normally Open Contact of Relay1
Relay2 NC	Relay	Normally Close Contact of Relay2
Relay2 COM	Relay	COM Contact of Relay2
Relay2 NO	Relay	Normally Open Contact of Relay2
Relay3 NO1	Relay	1st Normally Open of Relay3
Relay3 COM1	Relay	1st COM Contact of Relay3
Relay3 NC1	Relay	1st Normally Close Contact of Relay3
Relay3 NC2	Relay	2nd Normally Close Contact of Relay3
Relay3 COM2	Relay	2nd COM Contact of Relay3
Relay3 NO2	Relay	2nd Normally Open Contact of Relay3
+5V	Power	5V Power Input
+5V	Power	5V Power Input
GND	Power	GROUND
+24V	Power	24V Power Input
+24V	Power	24V Power Input
GND	Power	GROUND
GND	Power	GROUND
GND	Power	GROUND
Relay4 NC	Relay	Normally Close Contact of Relay4
Relay4 COM	Relay	COM Contact of Relay4
Relay4 NO	Relay	Normally Open Contact of Relay4
Relay5 NC	Relay	Normally Close Contact of Relay5
Relay5 COM	Relay	COM Contact of Relay5
Relay5 NO	Relay	Normally Open Contact of Relay5
Relay6 NC	Relay	Normally Close Contact of Relay6
Relay6 COM	Relay	COM Contact of Relay6
Relay6 NO	Relay	Normally Open Contact of Relay6
Relay7 NC	Relay	Normally Close Contact of Relay7
Relay7 COM	Relay	COM Contact of Relay7
Relay7NO	Relay	Normally Open Contact of Relay7
0-24V DI-1	Digital Input	Digital Input in the 0-24V
0-24V DI-2	Digital Input	Digital Input in the 0-24V
0-24V DI-3	Digital Input	Digital Input in the 0-24V